



RM*-W

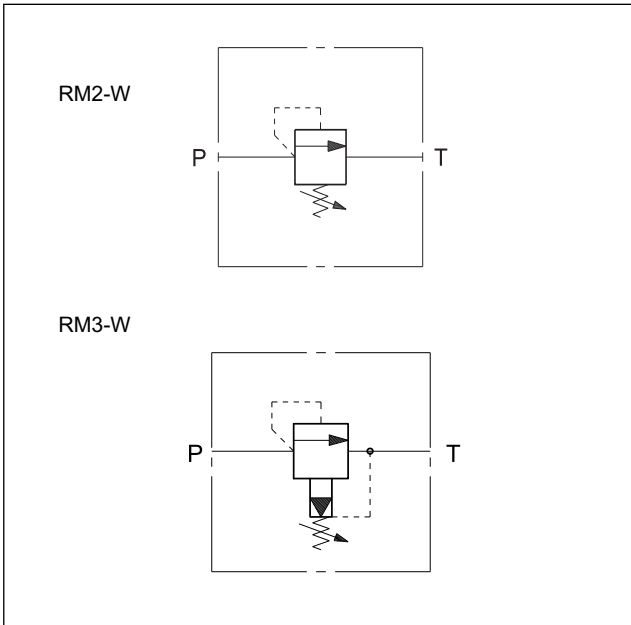
PRESSURE CONTROL VALVES

RM2-W SERIES 31
RM3-W SERIES 30

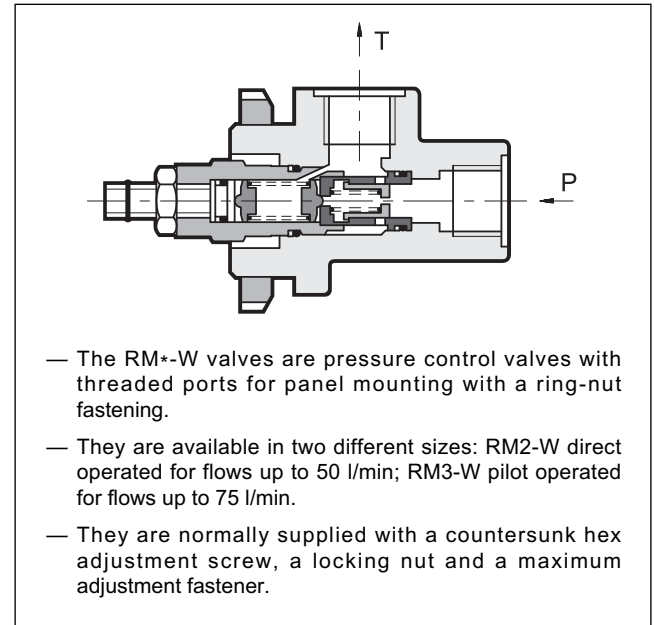
THREADED PORTS

p max **350** bar
Q max (see table of performances)

HYDRAULIC SYMBOLS



OPERATING PRINCIPLE



PERFORMANCES (measured with mineral oil of viscosity 36 cSt at 50°C)

		RM2-W	RM3-W
Maximum operating pressure	bar	350	
Minimum controlled pressure		see diagram	
Maximum flow rate	l/min	50	75
Ambient temperature range	°C	-20 / +60	
Fluid temperature range	°C	-20 / +80	
Fluid viscosity range	cSt	10 ÷ 400	
Fluid contamination degree		according to ISO 4406:1999 class 20/18/15	
Recommended viscosity	cSt	25	
Mass	kg	0,9	

