

Technical Data Sheet



VABP Series BYPASS VALVE

Piston Pump Bypass Valve

The VABP series bypass valve is an option for the Hydreco P series bent axis piston pumps.

Every time the vehicle is in motion the solenoid should be off, allowing the bypass to work correctly.

The bypass valve allows the pump to be driven at maximum engine rpm at no load while the vehicle is working. This prevents pump cavitation and high heat generation which could otherwise occur at high flows.

The VABP connects the inlet and outlet ports, allowing only a small amount of oil flow (~5 L/min) through the system to tank.

Product Features

- **Port Matched to P Series**
Ease of installation.
- **Banjo Fittings**
Ease of Installation.
- **High and Low Pressure Versions**
To match the system requirements.
- **Low Weight**
Ease of installation and maintenance.

POWAUTO

DAVID BROWN
HYDRAULICS

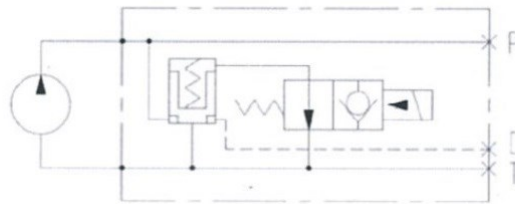
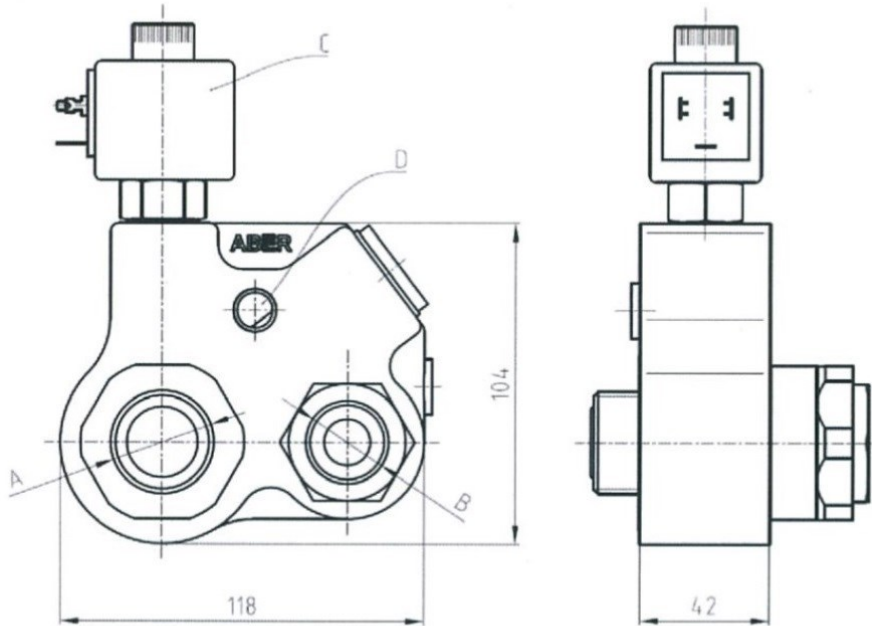
HYDRECO

HYDRECO
POWAUTO
HYDRAULIC SOLUTIONS PROVIDER

www.hydreco.com

Technical Data Sheet

Main Dimensions



C – Solenoid 24VDC
D – Drain plug 1/4" G

(Dimensions in mm)

Technical Specifications		Max Pressure (bar)		Solenoid Voltage	Weight kg	A - Inlet Port	B - Outlet Port
Bypass	Suits Pumps	Cont	Int				
VABP3060L	30, 40, 50, 63cc	210	250	24	3.5	G1"	G¾"
VABP3060H	30, 40, 50, 63cc	350	400	24	3.5	G1"	G¾"
VABP80H	81, 108cc	350	400	24	3.5	G1¼"	G1"

Refer to the installation manual for detailed information.
12V also available upon request.

DISTRIBUTOR:

Doc: VABP—02/17

POWAUTO

DAVID BROWN
HYDRAULICS

HYDRECO

HYDRECO
POWAUTO
HYDRAULIC SOLUTIONS PROVIDER

www.hydreco.com