

Technical Data Sheet



UBESV SERIES END OF STROKE VALVES

Product Features

Hoist End Of Stroke Valves

These valves are often required to be used with telescopic hoists. The valves are normally open valves and when activated by the body position, move the spool to a closed position preventing any further flow of oil to the hoist.

It can be used on 3 way tipper systems where the stroke required for the side tip is less than the rear tip requirement.

They can also be used to stop the hoist from fully extending and thereby not subjecting the hoist to full relief pressure.

Suits:
Truck hoist applications

- **Mechanically Operated**
For trouble free operation.
- **Large Ports and Spool Passages**
Providing maximum flow with minimum loss of pressure through the valve.
- **Simple Design**
For trouble free installation and operation.

POWAUTO

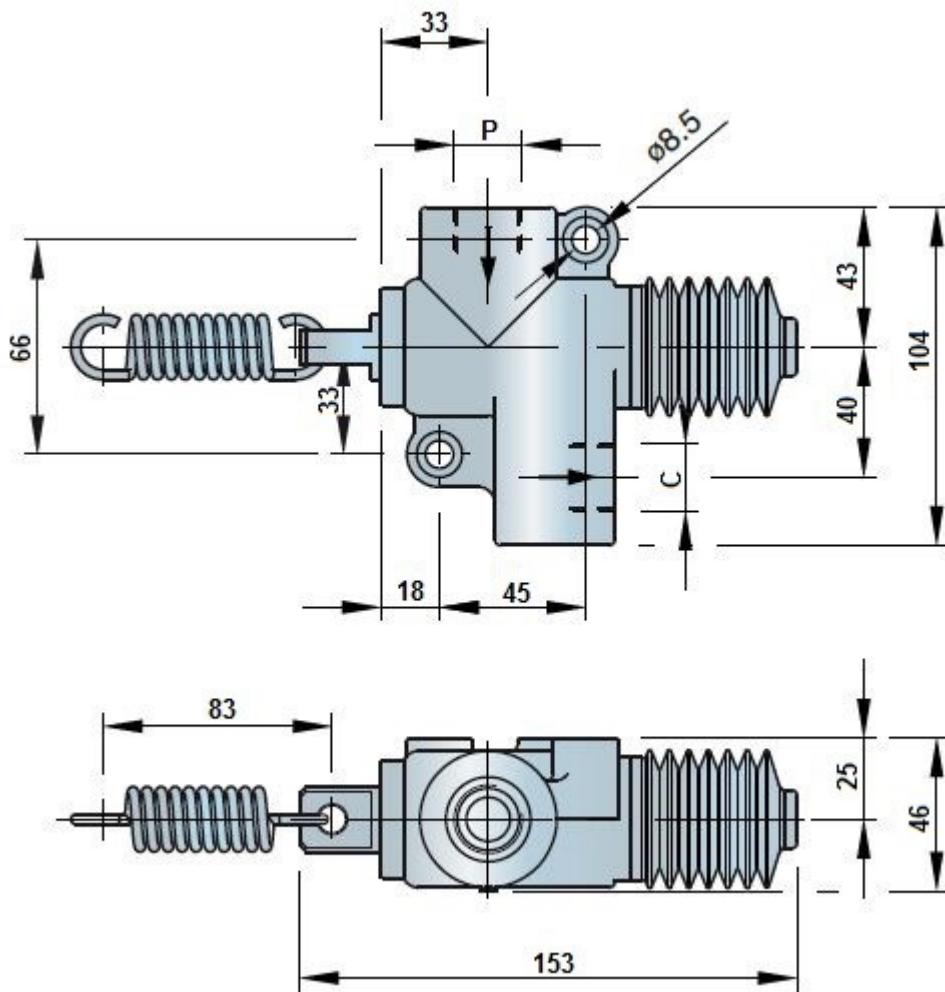
DAVID BROWN
HYDRAULICS

HYDRECO

HYDRECO
POWAUTO
HYDRAULIC SOLUTIONS PROVIDER

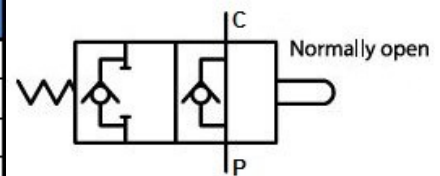
www.hydreco.com

Technical Data Sheet



Technical Specifications		UBESV-1/2	UBESV-3/4
Flow Rate	L/min	80	100
Weight	kg	1.8	1.9
Port 'P'	BSPP	1/2"	3/4"
Port 'C'	BSPP	1/2"	3/4"

For Full Details Refer To Your Hydreco Distributor



DISTRIBUTOR:

Doc: UBESV—03/17

POWAUTO

DAVID BROWN
HYDRAULICS

HYDRECO

HYDRECO
POWAUTO
HYDRAULIC SOLUTIONS PROVIDER

www.hydreco.com