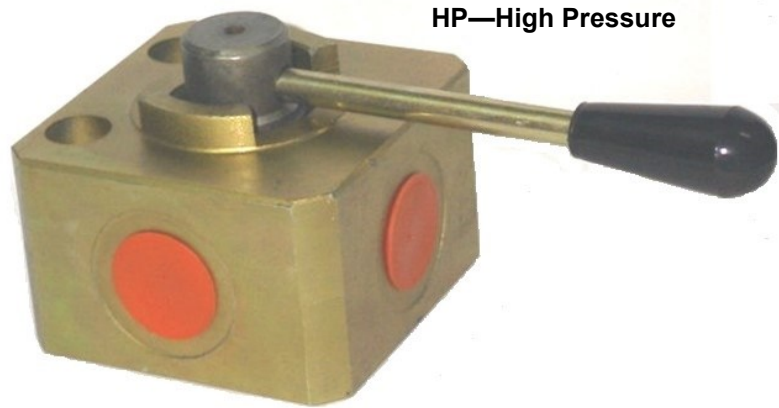


# Technical Data Sheet



Standard



HP—High Pressure

## D3V SERIES DIVERTER VALVES

### Manual Diverter Valves

Ideal for low to medium flow diversion in medium and high pressure systems.

This valve provides a low cost alternative to an air operated truck hydraulic system.

Simple to operate this valve opens both systems during transition to prevent pressure spikes in operation.

## Product Features

- **High Pressure (HP Designator)**  
Suitable for tipper, winch, cranes etc (< 350 bar).
- **COMPACT SIZE**  
For minimum problems in fitting and mounting.
- **Easy to Install**  
Low installation costs.
- **Simple Design**  
Low maintenance.

POWAUTO

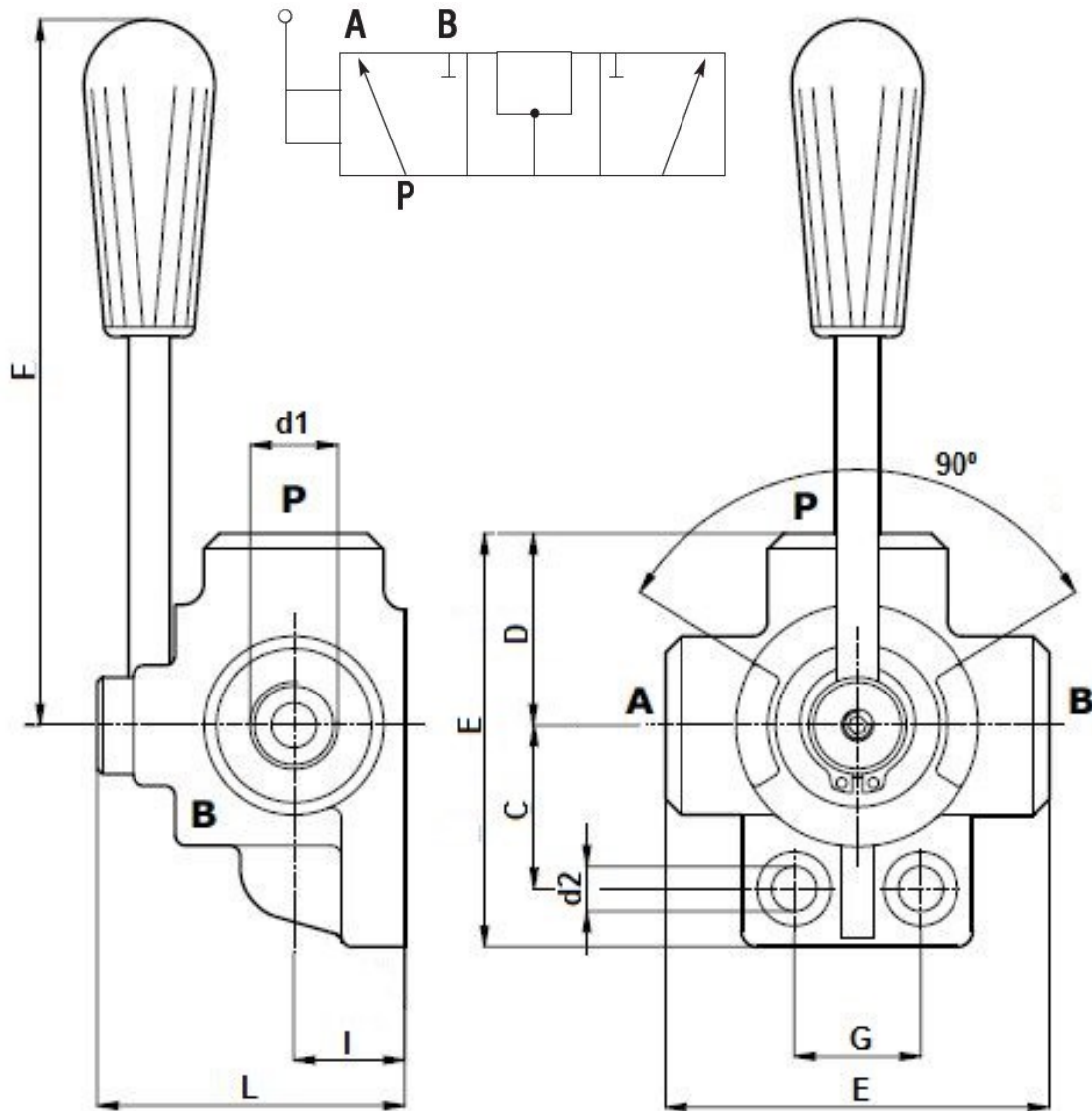
DAVID BROWN  
HYDRAULICS

HYDRECO

**HYDRECO**  
**POWAUTO**  
HYDRAULIC SOLUTIONS PROVIDER

[www.hydreco.com](http://www.hydreco.com)

# Technical Data Sheet



Technical Specifications	Max Flow L/min	Max Press Bar	d1	d2	C	D	E	F	G	H	I	L
D3V-1/2	90	280	G1½"	8.5	36	43	96	120	30	85	24	70
D3V-3/4	120	250	G¾"	11	41	47	101	125	32	91	28	80
D3V-1	180	220	G1"	11	50	51	115	130	32	98	32	90
D3V-1/2HP	90	400	G1½"	11	28	40	80	125	36.5	83	38	71
D3V-3/4HP	120	350	G¾"	12	30	45	90	124	32	87	44	80
D3V-1HP	180	320	G1"	11	38	53	106	164	60	106	53	89

For Full Details Refer To Your Hydreco Distributor

Note: Hydreco recommends the use of filtration in all hydraulic circuits to a maximum of 25µ

DISTRIBUTOR:

Doc: D3V—03/17

POWAUTO

DAVID BROWN  
HYDRAULICS

HYDRECO

**HYDRECO**  
**POWAUTO**  
HYDRAULIC SOLUTIONS PROVIDER

[www.hydreco.com](http://www.hydreco.com)