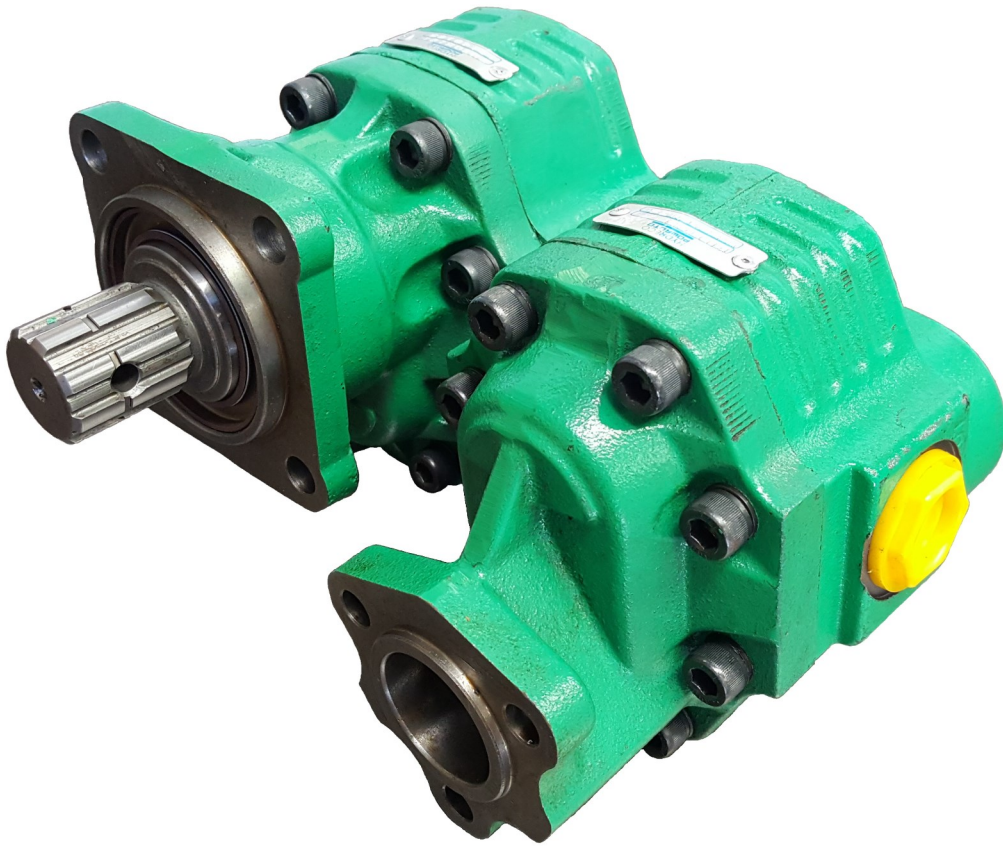


Technical Data Sheet



T SERIES HYDRAULIC GEAR PUMP

Medium Pressure Gear Pump

The T series gear pump is ideal for applications requiring moderate to high pressure & flow.

Manufactured from rugged heat treated materials, this product is well suited to all applications such as cranes, aerial platforms, hook-lift loaders and tippers.

Product Features

- **ISO/DIN or UNI Mounts**
Ideal for the replacement market.
- **Large Capacity Range**
To suit most applications.
- **Low Weight**
Ease of installation and maintenance.

POWAUTO

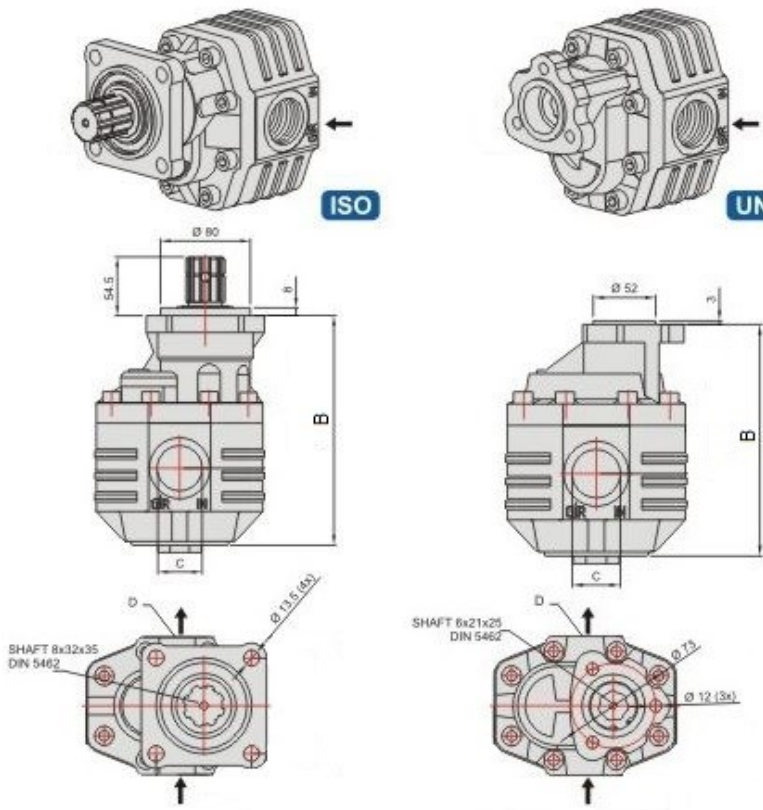
DAVID BROWN
HYDRAULICS

HYDRECO

HYDRECO
POWAUTO
HYDRAULIC SOLUTIONS PROVIDER

www.hydreco.com

Technical Data Sheet



PUMP DESIGNATION CODES

T Series

Identifier
PU = Pump

Pump Series
T

Rotation
O = Opposite To Engine
S = Same As Engine

Flow @ 1000 RPM

- 17 = 17 L/min
- 27 = 27 L/min
- 34 = 34 L/min
- 43 = 43 L/min
- 51 = 51 L/min
- 61 = 61 L/min
- 63 = 63 L/min (Heavy Duty)
- 73 = 73 L/min (Heavy Duty)
- 82 = 82 L/min
- 87 = 87 L/min (Heavy Duty)
- 109 = 109 L/min (Heavy Duty)

Input Mounting

- Omit = UNI
- 01 = DIN 5462

PU T O 87 01

Technical Specifications	Pump Size												
	17	27	34	43	51	61	63	73	82	87	109		
Pump Ratings													
Displacement Range													
	cm ³ /rev	17.2	26.5	34.3	43.7	51.4	60.8	60.6	71.7	81.0	85.5	107.6	
Pressure Ratings													
	Rated Pressure	bar	315	305	300	280	240	220	278	300	210	250	250
		psi	4570	4420	4350	4060	3480	3190	4030	4350	3040	3625	3625
	Int Pressure	bar	340	330	325	305	265	240	300	320	230	280	270
		psi	4930	4785	4710	4420	3840	3480	4350	4640	3335	4060	3915
Operating Speeds													
	RPM												
	Min. Operational	450	450	350	350	300	300	300	300	300	300	250	
	Max. Continuous	2500	2500	2200	2200	2000	1800	1800	1800	1500	1500	1500	
	Max. Intermittant	4000	4000	3500	3500	3500	3500	3500	3500	3000	3500	3500	
Pump Port Sizes													
	Inlet	R $\frac{1}{2}$ "	R $\frac{3}{4}$ "	R $\frac{3}{4}$ "	R $\frac{1}{2}$ "	R $\frac{1}{2}$ "	R $\frac{1}{4}$ "	R $\frac{1}{2}$ "	R $\frac{1}{4}$ "	R $\frac{1}{4}$ "	R $\frac{1}{4}$ "	R $\frac{1}{4}$ "	
	Outlet	R $\frac{1}{2}$ "	R $\frac{3}{4}$ "	R $\frac{3}{4}$ "	R $\frac{3}{4}$ "	R $\frac{1}{2}$ "	R $\frac{1}{2}$ "	R $\frac{3}{4}$ "	R $\frac{3}{4}$ "	R $\frac{1}{2}$ "	R $\frac{1}{2}$ "	R $\frac{1}{2}$ "	
Bare Mass (ISO/DIN)	kg	10.5	11.0	11.5	12.0	12.5	13.0	16.5	16.8	13.8	17.3	18.5	
Bare Mass (UNI)	kg	8.5	9.0	9.5	10.0	10.5	11.0	11.6	16.5	11.6	17.0	18.0	
Length 'B' (ISO/DIN)	mm	162	168	174	179	184	190	204	206	202	213	220	
Length 'B' (UNI)	mm	150	155	162	167	172	177	190	192	190	200	206	
Seal Kit													
	ISO/DIN	SK095					SK097		SK095		SK097		
	UNI	SK094					SK096		SK094		SK096		

DISTRIBUTOR:

Doc: PUT—05/17

www.hydreco.com

POWAUTO

DAVID BROWN
HYDRAULICS

HYDRECO

HYDRECO
POWAUTO
HYDRAULIC SOLUTIONS PROVIDER