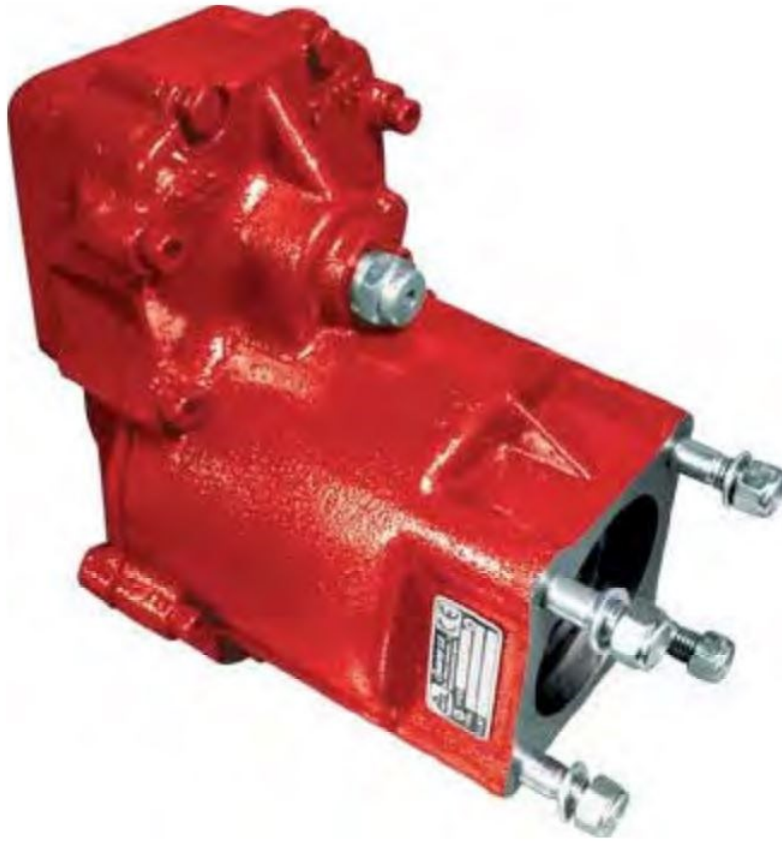


Technical Data Sheet



PB469 SERIES POWER TAKE-OFF

Product Features

Rear Mount Hotshift PTO for Volvo

The 469 series is designed for certain Volvo transmissions with rear openings, it has an output ratio suitable for high torque in critical applications.

Built with constant mesh gearing, this PTO incorporates a clutch pack to engage and disengage the output shaft.

Suits:

Volvo I-Shift transmissions.
(Refer to the eGuide Configurator on www.hydreco.com for confirmation and details)

- **Standard Outputs**
For flexibility in applications
- **Standard 4 Bolt Rear Mount**
For ease of fitment
- **Deep Groove Ball Bearings**
For longer life and higher performance.
- **Hotshift with Pneumatic Engagement**
Can engage 'on the run' - no need for clutch operation with manual gearboxes.

POWAUTO

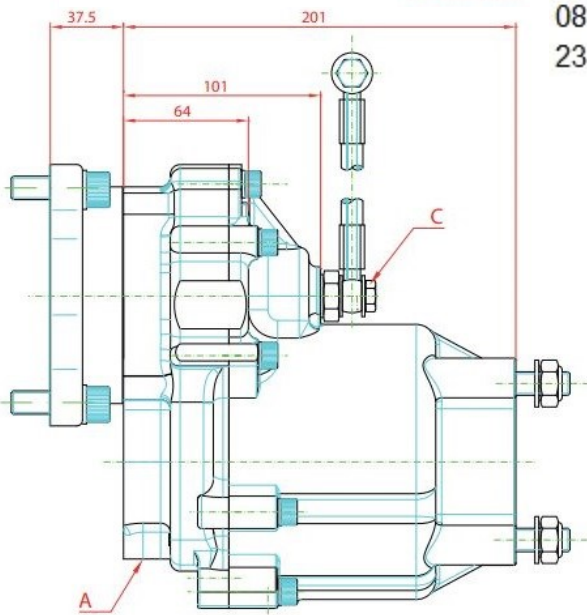
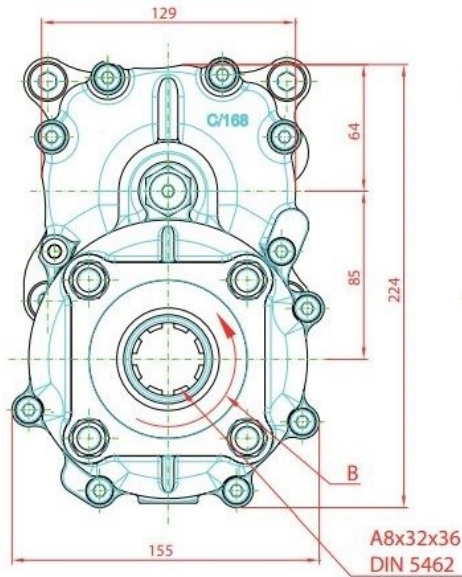
DAVID BROWN
HYDRAULICS

HYDRECO

HYDRECO
POWAUTO
HYDRAULIC SOLUTIONS PROVIDER

www.hydreco.com

Technical Data Sheet



PTO DESIGNATION CODES

469 Series

PB 469 A 23

Identifier

PB = PTO Rear Mount

PTO Series

469

Engagement Type

A = Air

Output Type

08 = 8T Powauto Hydraulic Spline

23 = 8T Ø36 DIN 5462 Spline - Female and DIN Mount

Technical Specifications		
Ratings		
Torque	Nm / ft.lb	560 / 413
Power @ 500 rpm	kW / hp	29.3 / 39.3
Power @ 1000 rpm	kW / hp	58.6 / 78.6
Output Shaft Rotation		Same as Engine
Approximate Bare Mass	kg / lb	24.6 / 54.1
Mounting Kit		Included

Note: For full details refer to the owners manual or the eGuide configurator found at www.hydreco.com/markets/transport

DISTRIBUTOR:

Doc: PB469—03/17

POWAUTO

DAVID BROWN
HYDRAULICS

HYDRECO

HYDRECO
POWAUTO
HYDRAULIC SOLUTIONS PROVIDER

www.hydreco.com