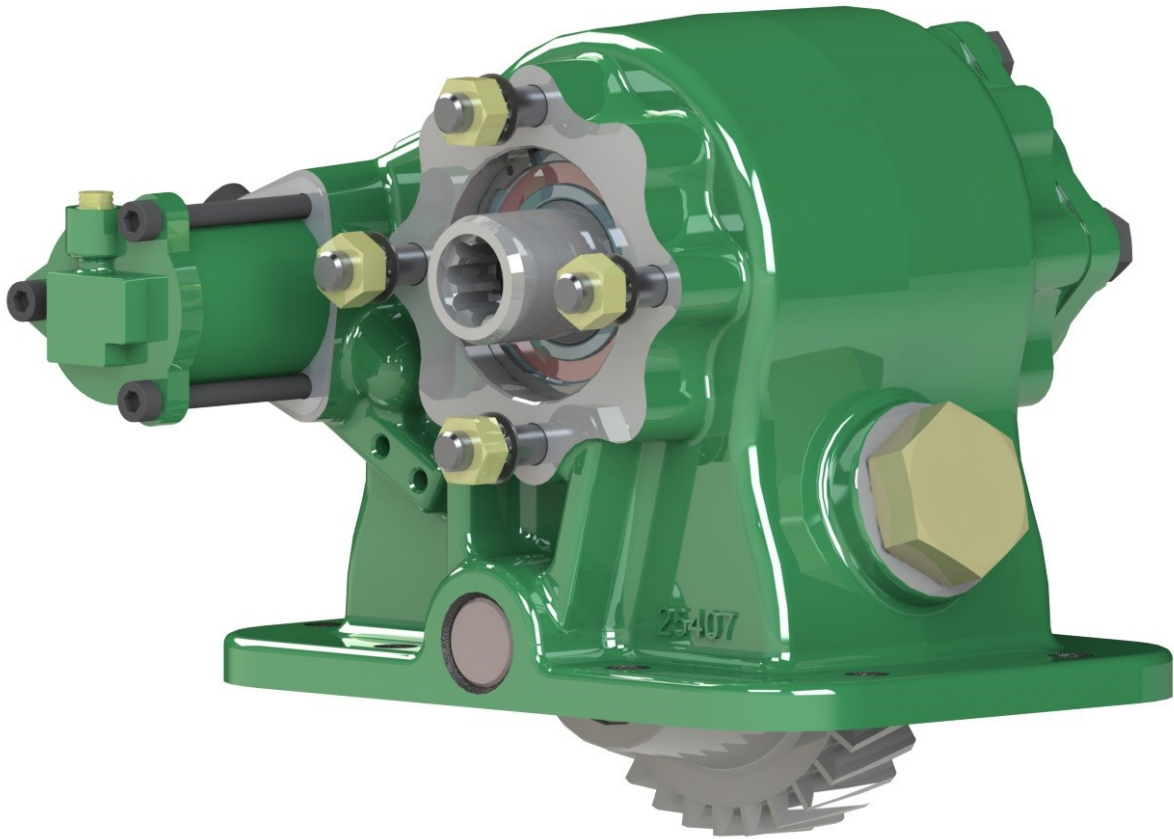


# Technical Data Sheet



## PA857 SERIES POWER TAKE-OFF

## Product Features

### 8 Bolt Single Gear Side Mounted Power Take-Off

The 857 series is a single reduction PTO designed for Isuzu MZZ transmissions with an 8 bolt opening.

Continuing Hydreco Powauto's commitment to maximum torque density, this PTO achieves superior strength with minimum size and cost penalty.

#### Suits:

Isuzu MZZ5D, MZZ6C, U & W transmissions.  
(Refer to the eGuide Configurator on [www.hydreco.com](http://www.hydreco.com) for confirmation and details)

- **Output Speeds 80 to 82.6% of Engine Speed (Transmission Dependant)**  
For maximum torque output for pump operation.
- **Large Range of Engagement Options**  
For suitability to many trucks.
- **Large Range of Outputs**  
To allow close coupling or remote mounting of the pump.
- **Tapered Roller Bearings**  
For higher torque capacity.

POW AUTO

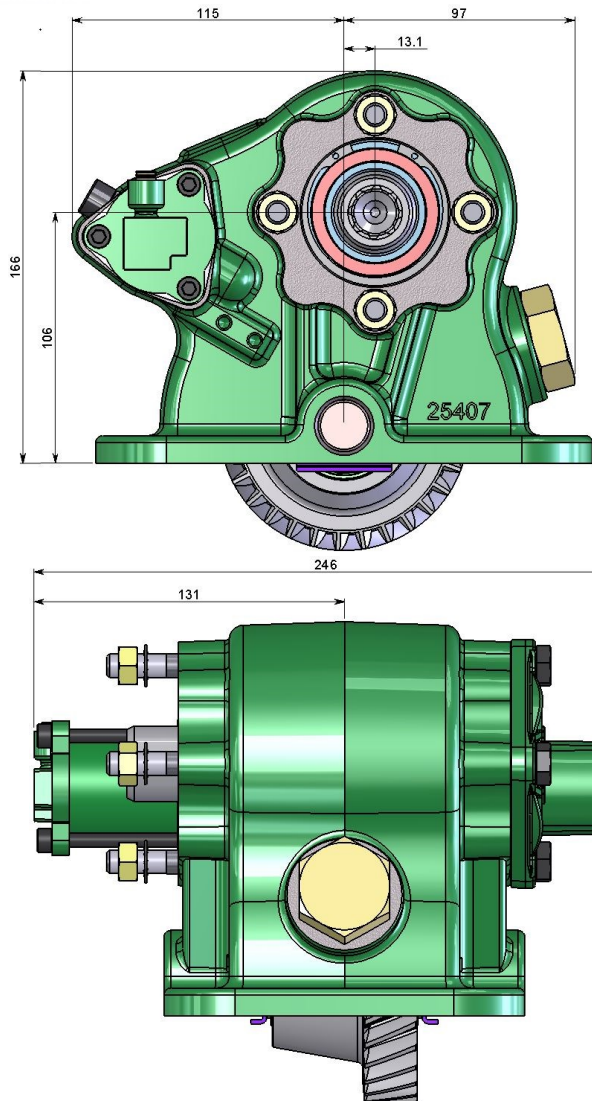
DAVID BROWN  
HYDRAULICS

HYDRECO

**HYDRECO**  
**POW AUTO**  
HYDRAULIC SOLUTIONS PROVIDER

[www.hydreco.com](http://www.hydreco.com)

# Technical Data Sheet



## PTO DESIGNATION CODES

### 857 Series

#### Identifier

PA = PTO Side Mount

#### PTO Series

857

#### Gear Type

KN

#### Build

L = Left side of transmission  
 1 = Selector to top / Bias to bottom  
 2 = Selector to bottom / Bias to top  
 1 = Centre to front  
 (Position of gear in transmission)

#### Engagement Type

V = Vacuum

#### Output Type

08 = 8T Powauto Hydraulic Spline  
 13 = 13T SAE B Hydraulic Spline + SAE B Pump Mount  
 16 = Ø30 Taper Shaft - 1" x ¼" Key - 35 x 60 Flange  
 17 = Ø30 Taper Shaft - 1" x ¼" Key - 1410 Flange  
 25 = 9T SAE A Hydraulic Spline + SAE A Pump Mount  
 Other outputs available on request, subject to MOQ.

#### Manufacturers Code

A = With Pressure Switch  
 B = With Mounting Kit  
 C = With Mounting Kit & PTO Control Kit

PA 857 KN L11 V 08 \*

Technical Specifications		
Ratings & Service Parts		
Torque	Nm / ft.lb	320 / 236
Power @ 500 rpm	kW / hp	16.7 / 22.5
Power @ 1000 rpm	kW / hp	33.5 / 45.0
Output Shaft Rotation		Opposite to Engine
Approximate Bare Mass	kg / lb	14.5 / 31.9
Mounting Kit		MK1064
Mounting Gasket Kit		GK005
Seal Kit		SK046A
Bearing Kit		BK046A

**Note:** For full details refer to the owners manual or the eGuide configurator found at [www.hydreco.com/markets/transport](http://www.hydreco.com/markets/transport)

**DISTRIBUTOR:**

Doc: PA857—03/17

POWAUTO

DAVID BROWN  
HYDRAULICS

HYDRECO

**HYDRECO**  
**POWAUTO**  
 HYDRAULIC SOLUTIONS PROVIDER

[www.hydreco.com](http://www.hydreco.com)