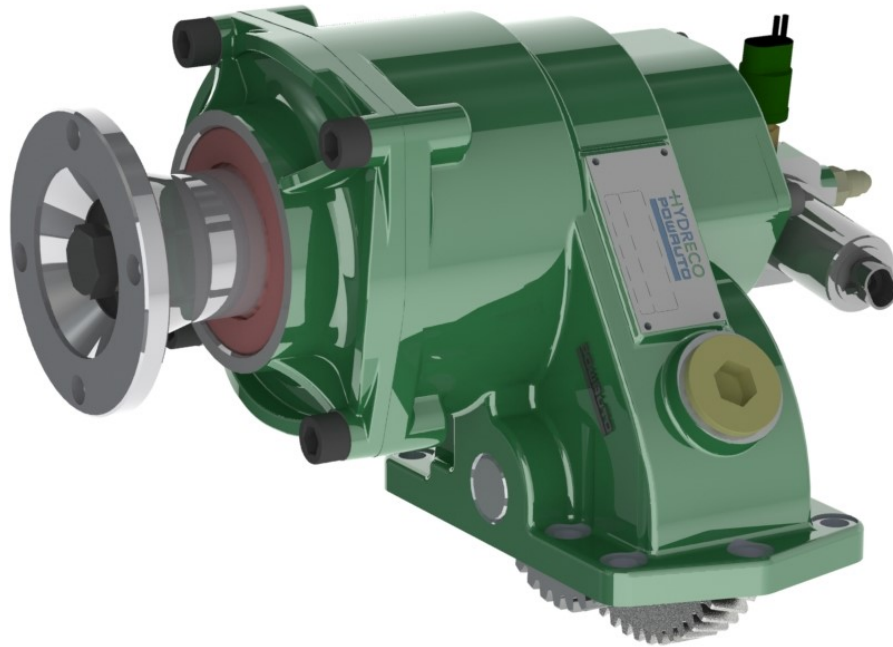


# Technical Data Sheet



## PA46 SERIES POWER TAKE-OFF

### Extra Heavy Duty Side Mounted Hotshift Power Take Off

The 46 series is a constant mesh hotshift PTO designed to suit the 10 bolt transmission openings on the MD and HD series Allison automatic transmissions.

This PTO has a high torque rating which is well suited to heavy duty applications.

#### Suits:

Allison MD 3050P, 3060P, 3070PT, 3550P, 3560P, HD 4060P, 4560P transmissions.

(Refer to the eGuide Configurator on [www.hydreco.com](http://www.hydreco.com) for confirmation and details)

## Product Features

- **New Improved Clutch Pack**  
Providing longer life in harsh conditions.
- **New Piston Design**  
Better sealing and lower friction for smooth movements.
- **Lower Profile**  
Gives easier installation on narrow chassis'.
- **New Rear Cover That Can Fit In 3 Different Positions**  
To allow seal changes in situ, resulting in more up time. While providing greater flexibility in fitting within confined spaces.
- **Solenoid has 2 Possible Positions**  
To better avoid obstructions during fitting.
- **One Gasket, One Hose Fitment**  
Simple to install, resulting in lower setup costs.

POWAUTO

DAVID BROWN  
HYDRAULICS

HYDRECO®

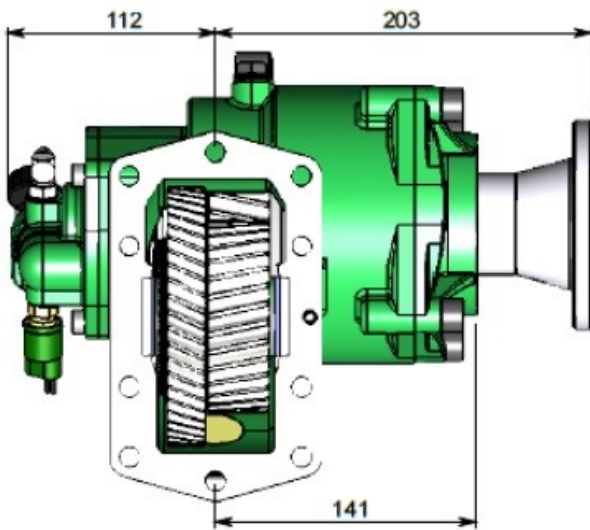
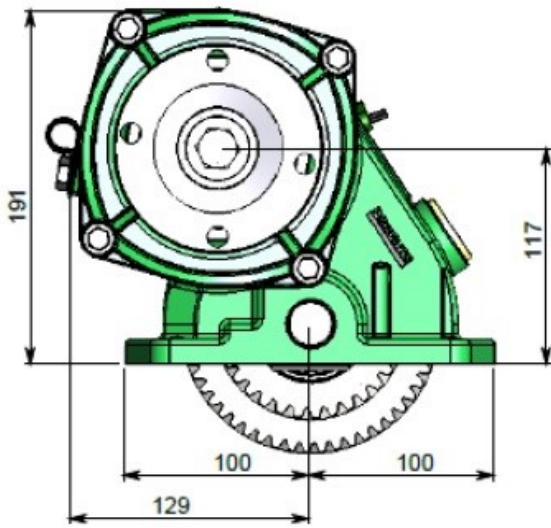
HYDRECO  
POWAUTO

ADVANCED HYDRAULIC TECHNOLOGIES



[www.hydreco.com](http://www.hydreco.com)

# Technical Data Sheet



## PTO DESIGNATION CODES

### 46 Series

PA 4603 JB L11 F 33 C

#### Identifier

PA = PTO Side Mount

#### PTO Series

46

#### Ratio (3000/3000T/4000)

03 = 115%/141%/164%

#### Gear Type

JB

#### Build

L = Left side of transmission

R = Right side of transmission

1 = Selector to top / Bias to bottom

2 = Selector to bottom / Bias to top

1 = Centre to front

(Position of gear in transmission)

#### Engagement Type

F = Electric / Hydraulic 12V

G = Electric / Hydraulic 24V

#### Output Type

33 = 17T 12/24 30° Spline + 1410 Flange

Other outputs available on request, subject to MOQ.

#### Manufacturers Code

B = With Mounting Kit

C = With Mounting Kit & PTO Control Kit

| Technical Specifications                     |            |                |
|--|------------|----------------|
| Ratings & Service Parts                      |            | 4603           |
| Ratio for 3000 Series (Left & Right Opening) |            | 115.32%        |
| Ratio for 3000 Series (Top & Side Opening)   |            | 140.75%        |
| Ratio for Allison 4000                       |            | 164.49%        |
| Torque                                       | Nm / ft.lb | 650 / 480      |
| Power @ 500 rpm                              | kW / hp    | 34.1 / 45.7    |
| Power @ 1000 rpm                             | kW / hp    | 68.1 / 91.4    |
| Output Shaft Rotation                        |            | Same As Engine |
| Approximate Bare Mass                        | kg / lb    | 23.0 / 50.6    |
| Mounting Kit                                 |            | MK1163         |
| Mounting Gasket Kit                          |            | GK023          |
| Seal Kit                                     |            | SK072C         |
| Bearing Kit                                  |            | BK072C         |

**Note:** For full details refer to the owners manual or the eGuide configurator found at [www.hydreco.com/solutions/on-road](http://www.hydreco.com/solutions/on-road)

Doc: PA46—06/19

POW AUTO

DAVID BROWN  
HYDRAULICS

HYDRECO®

HYDRECO  
POW AUTO

ADVANCED HYDRAULIC TECHNOLOGIES



www.hydreco.com