

Technical Data Sheet



PA44 SERIES POWER TAKE-OFF

Ultra Heavy Duty Side Mounted Constant Drive Power Take Off

The 44 series is a constant mesh, constant drive PTO designed to suit the 10 bolt transmission openings on the MD and HD series Allison automatic transmissions.

This PTO has a high torque rating which is well suited to heavy duty applications.

Suits:

Allison MD 3500ORS, 3500SP, HD 4430RS transmissions.

(Refer to the eGuide Configurator on www.hydreco.com for confirmation and details)

Product Features

- **Output Speeds 86 to 101% of engine speed (Transmission dependant)**
Giving good output values for all applications.
- **Constant Drive**
Ensuring no gear clash when operating. Suitable for driving variable displacement pumps.
- **Viton Seals & O-Rings**
Better compatibility with high temperature conditions.
- **One Gasket, One Hose Fitment**
Simple to install, resulting in lower setup costs.

POWAUTO

DAVID BROWN
HYDRAULICS

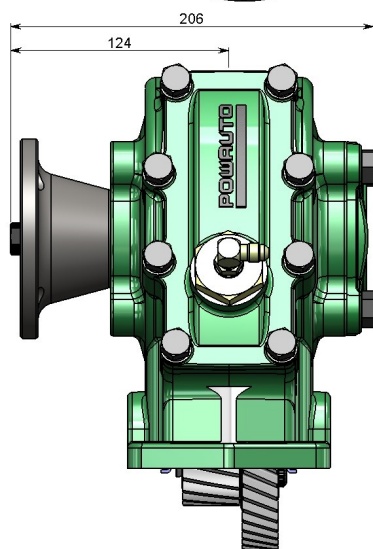
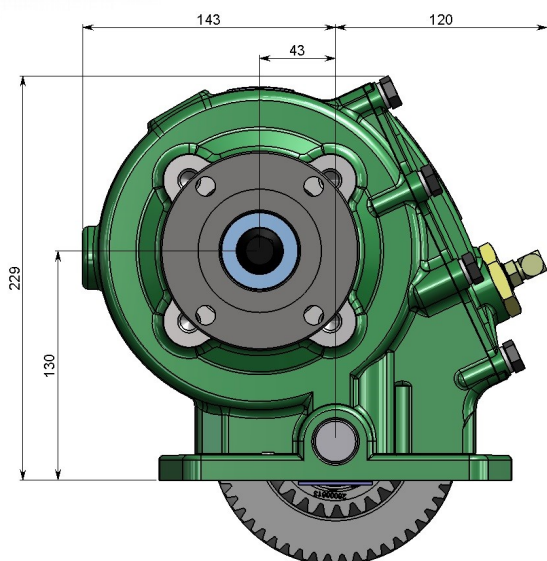
HYDRECO®

HYDRECO
POWAUTO
ADVANCED HYDRAULIC TECHNOLOGIES



www.hydreco.com

Technical Data Sheet



PTO DESIGNATION CODES

44 Series

PA 44-I JB L11 B 33 B

Identifier

PA = PTO Side Mount

PTO Series

44

Ratio (3500 / 4000)

-1 = 86% / 101%

Gear Type

JB

Build

L = Left side of transmission

R = Right side of transmission

1 = Selector to top / Bias to bottom

2 = Selector to bottom / Bias to top

1 = Centre to front

(Position of gear in transmission)

Engagement Type

B = Continuous Engagement

Output Type

33 = 17T 12/24 30° Spline + 1410 Flange

Other outputs available on request, subject to MOQ.

Manufacturers Code

B = With Mounting Kit

Technical Specifications		
Ratings & Service Parts		PA44-I
Ratio for 3000 Series (Top & Side Opening)		86.0%
Ratio for Allison 4000		101.0%
Torque	Nm / ft.lb	851 / 628
Power @ 500 rpm	kW / hp	45 / 60
Power @ 1000 rpm	kW / hp	89 / 119
Output Shaft Rotation		Same As Engine
Approximate Bare Mass	kg / lb	22.0 / 48.4
Mounting Kit		MK1163
Mounting Gasket Kit		GK023
Seal Kit		SK112
Bearing Kit		BK112

Note: For full details refer to the owners manual or the eGuide configurator found at www.hydreco.com/solutions/on-road

Doc: PA40—06/19

POWAUTO

DAVID BROWN
HYDRAULICS

HYDRECO®

HYDRECO
POWAUTO

ADVANCED HYDRAULIC TECHNOLOGIES



www.hydreco.com