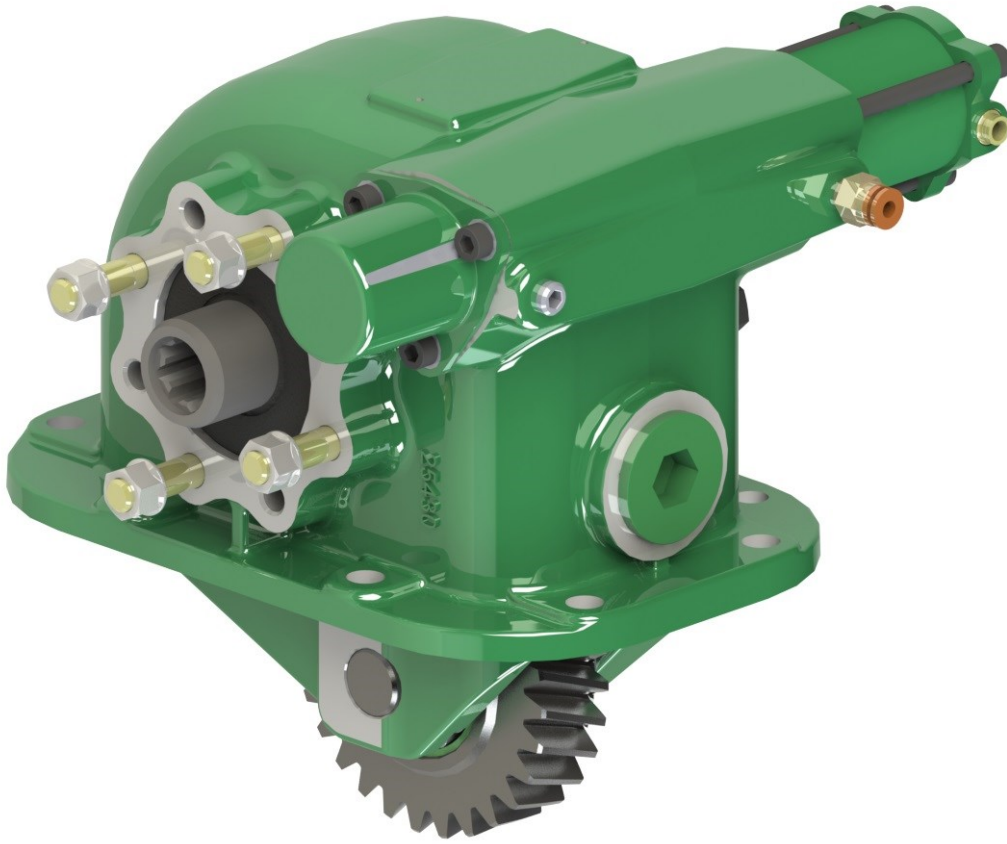


Technical Data Sheet



PA418 SERIES POWER TAKE-OFF

Product Features

Deep Reach High Torque 8 Bolt Side Mounted PTO

The 418 series is designed for the left opening of certain Isuzu transmissions with an 8 bolt opening. It is a heavy duty deep reach design.

Suits:

Isuzu MZW6P manual & AMT transmissions.
(Refer to the eGuide Configurator on www.hydreco.com for confirmation and details)

- **Output Speed 91% of Engine Speed (Transmission Dependant)**
For high torque at the output.
- **Wide Variety of Outputs**
To suit many vehicle configurations.
- **Constant Mesh Gears**
For longer life.
- **Heavy Duty Bearings**
For long life and better support for the idler gear.

POWAUTO

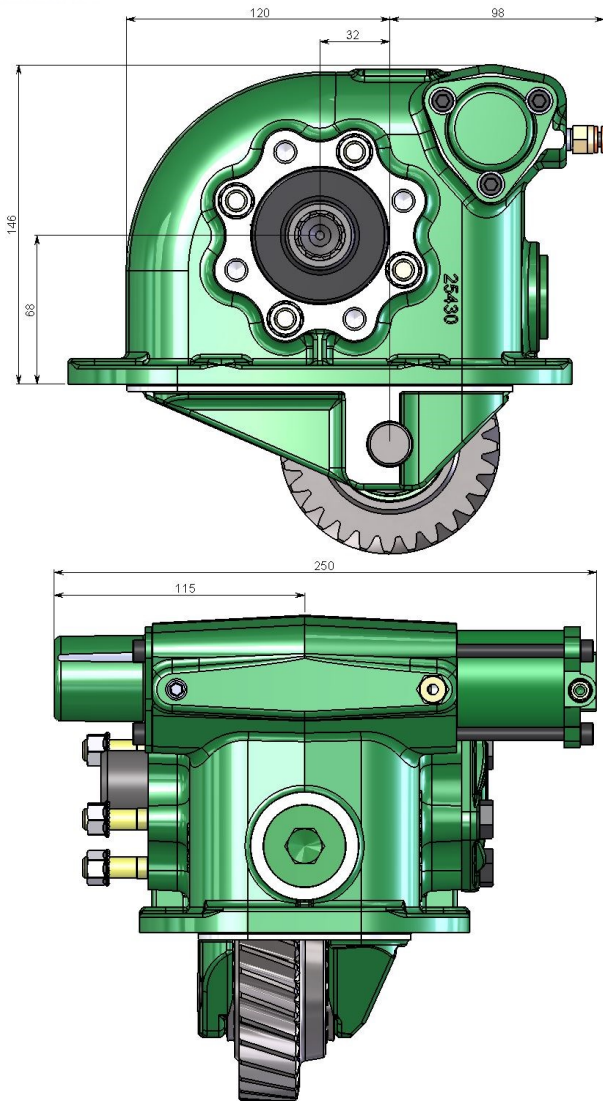
DAVID BROWN
HYDRAULICS

HYDRECO

HYDRECO
POWAUTO
HYDRAULIC SOLUTIONS PROVIDER

www.hydreco.com

Technical Data Sheet



PTO DESIGNATION CODES

418 Series

PA 418 KQ L12 A 08 *

Identifier

PA = PTO Side Mount

PTO Series

418

Gear Type

KQ

Build

L = Left side of transmission

1 = Selector to top / Bias to bottom

2 = Centre to rear

(Position of gear in transmission)

Engagement Type

A = Air

Output Type

08 = 8T Powauto Hydraulic Spline

09 = 14T 12/24 30° Spline + 35 x 60 Flange

10 = 14T 12/24 30° Spline + 1310 Flange

11 = 14T 12/24 30° Spline + 1410 Flange

13 = 13T SAE B Hydraulic Spline + SAE B Pump Mount

23 = 8T Ø36 DIN 5462 Spline - Female and DIN Mount

25 = 9T SAE A Hydraulic Spline + SAE A Pump Mount

Other outputs available on request, subject to MOQ.

Manufacturers Code

A = With Pressure Switch

B = With Mounting Kit

C = With Mounting Kit & PTO Control Kit

| Technical Specifications | | |
|--------------------------|------------|----------------|
| Ratings & Service Parts | | |
| Torque | Nm / ft.lb | 460 / 340 |
| Power @ 500 rpm | kW / hp | 24.0 / 32.2 |
| Power @ 1000 rpm | kW / hp | 48.0 / 64.3 |
| Output Shaft Rotation | | Same as Engine |
| Approximate Bare Mass | kg / lb | 15.0 / 33.0 |
| Mounting Kit | | MK1190 |
| Mounting Gasket Kit | | GK027 |
| Seal Kit | | SK088 |
| Bearing Kit | | BK088 |

Note: For full details refer to the owners manual or the eGuide configurator found at www.hydreco.com/markets/transport

DISTRIBUTOR:

Doc: PA418—03/17

www.hydreco.com

POWAUTO

DAVID BROWN
HYDRAULICS

HYDRECO

HYDRECO
POWAUTO
HYDRAULIC SOLUTIONS PROVIDER