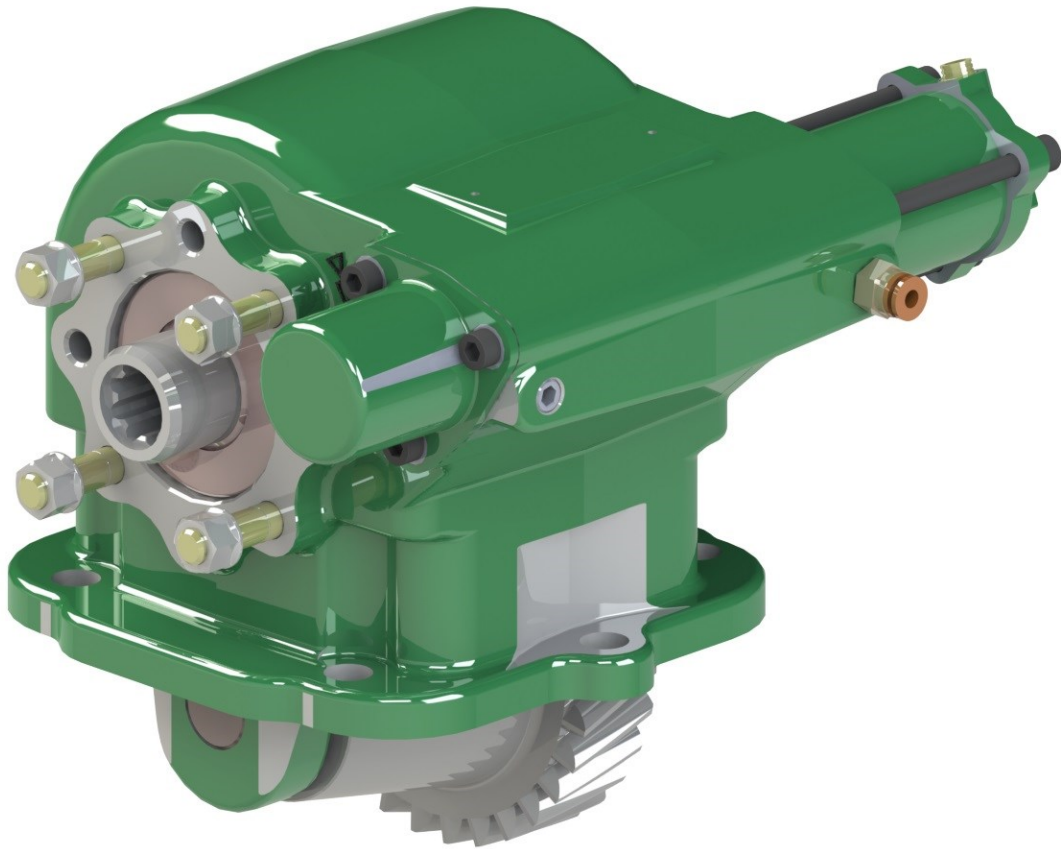


Technical Data Sheet



PA417 SERIES POWER TAKE-OFF

Product Features

Deep Reach High Torque 6 Bolt Side Mounted PTO

The 417 series is designed for the left opening of many Nissan/UD transmissions with a 6 bolt opening. It is a heavy duty deep reach design.

Suits:

Nissan/UD MLS62B, MLS63B, MPS62B & MPS63B transmissions.

(Refer to the eGuide Configurator on www.hydreco.com for confirmation and details)

- **Output Speeds 99.3 to 102.5% of Engine Speed (Transmission Dependant)**
For high speed at the output.
- **Wide Variety of Outputs**
To suit many vehicle configurations.
- **Constant Mesh Gears**
For longer life.
- **Heavy Duty Bearings**
For long life and better support for the idler gear.

POWAUTO

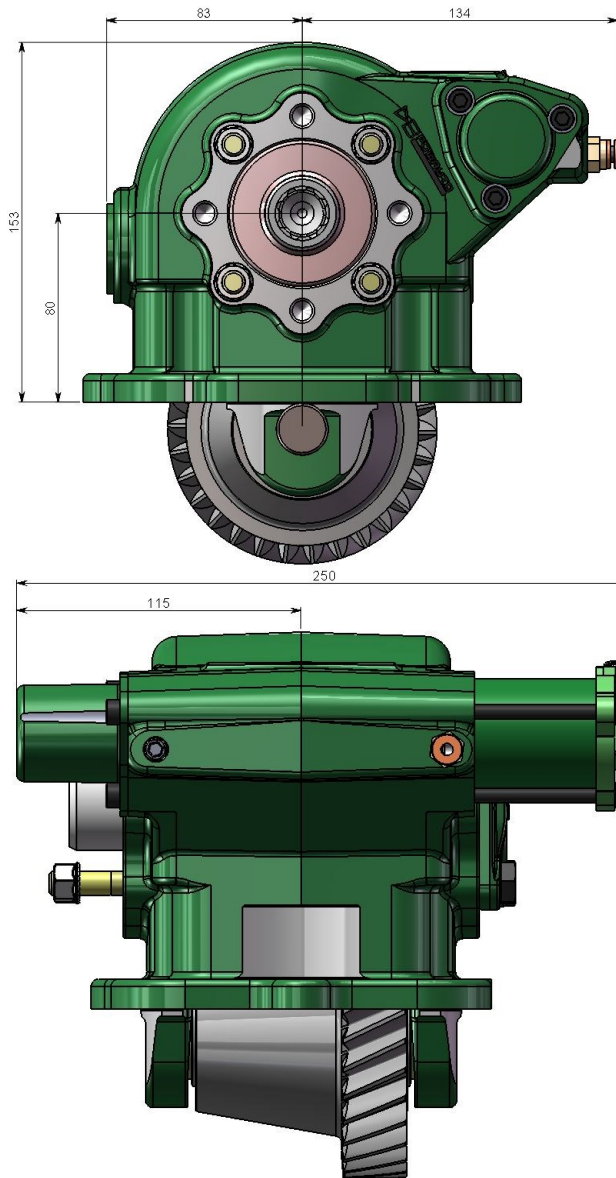
DAVID BROWN
HYDRAULICS

HYDRECO

HYDRECO
POWAUTO
HYDRAULIC SOLUTIONS PROVIDER

www.hydreco.com

Technical Data Sheet



PTO DESIGNATION CODES

417 Series

PA 417 ST L11 K 08 *

Identifier

PA = PTO Side Mount

PTO Series

417

Gear Type

MC1, ST

Build

L = Left side of transmission

1 = Selector to top / Bias to bottom

1 = Centre to front

(Position of gear in transmission)

Engagement Type

K = Air (Pull to engage)

Output Type

08 = 8T Powauto Hydraulic Spline

09 = 14T 12/24 30° Spline + 35 x 60 Flange

10 = 14T 12/24 30° Spline + 1310 Flange

11 = 14T 12/24 30° Spline + 1410 Flange

13 = 13T SAE B Hydraulic Spline + SAE B Pump Mount

23 = 8T Ø36 DIN 5462 Spline - Female and DIN Mount

Other outputs available on request, subject to MOQ.

Manufacturers Code

A = With Pressure Switch

B = With Mounting Kit

C = With Mounting Kit & PTO Control Kit

Technical Specifications			
Ratings & Service Parts		MC1	ST
Torque	Nm / ft.lb	572 / 421	351 / 258
Power @ 500 rpm	kW / hp	30.0 / 40.2	18.4 / 24.5
Power @ 1000 rpm	kW / hp	60.0 / 80.4	36.8 / 49.0
Approximate Bare Mass	kg / lb	15.0 / 33.0	17.0 / 37.4
Mounting Kit		MK1187C	MK1187A
Output Shaft Rotation		Opposite To Engine	
Mounting Gasket Kit		GK028	
Seal Kit		SK087	
Bearing Kit		BK087	

Note: For full details refer to the owners manual or the eGuide configurator found at www.hydreco.com/markets/transport

DISTRIBUTOR:

POWAUTO

DAVID BROWN
HYDRAULICS

HYDRECO

HYDRECO
POWAUTO
HYDRAULIC SOLUTIONS PROVIDER

Doc: PA417—03/17

www.hydreco.com