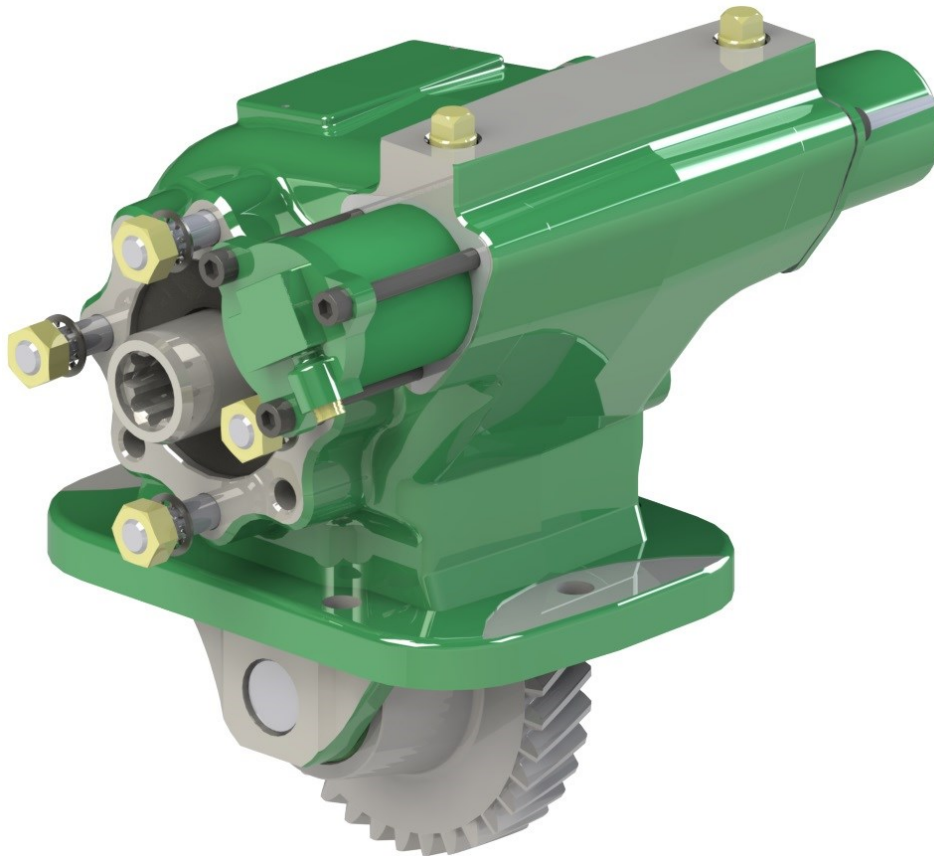


# Technical Data Sheet



## PA400 SERIES POWER TAKE-OFF

## Product Features

### Heavy Duty 6 Bolt Side Mounted Power Take-Off

The 400 series is designed for many Eaton, Hino & Toyota transmissions with a 6 bolt opening. It is a heavy duty deep reach design.

This PTO is available with a wide variety of outputs for most pump applications.

#### Suits:

Eaton FS4106, FS5206 & Hino/Toyota M550 transmissions.

(Refer to the eGuide Configurator on [www.hydreco.com](http://www.hydreco.com) for confirmation and details)

- **Deep Reach**  
Provides a compact fit.
- **Variety of Engagement Types**  
To suit many different truck applications.
- **Helical Gears**  
Quieter operation.
- **Constant Mesh Gears**  
Less potential for gearbox damage through misuse.
- **Heavy Duty Tapered Roller Bearings**  
For long life and better support for the idler gear.

POWAUTO

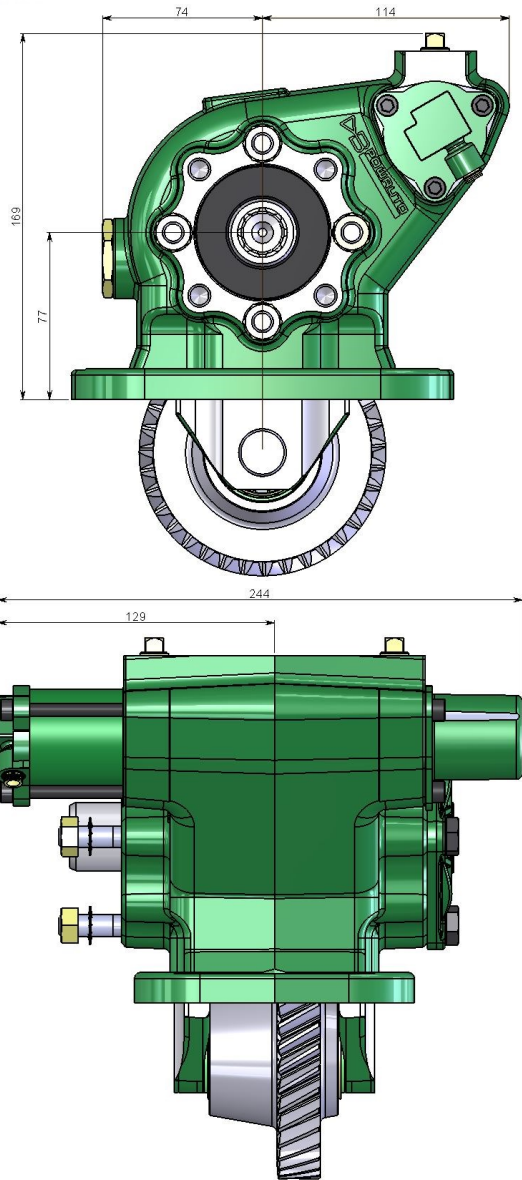
DAVID BROWN  
HYDRAULICS

HYDRECO

**HYDRECO**  
**POWAUTO**  
HYDRAULIC SOLUTIONS PROVIDER

[www.hydreco.com](http://www.hydreco.com)

# Technical Data Sheet



## PTO DESIGNATION CODES

### 400 Series

PA 400 EF L11 V 08 \*

#### Identifier

PA = PTO Side Mount

#### PTO Series

400

#### Gear Type

BF, EF

#### Build

L = Left side of transmission

1 = Selector to top / Bias to bottom

2 = Selector to bottom / Bias to top

1 = Centre to front

2 = Centre to rear

(Position of gear in transmission)

#### Engagement Type

A = Air

C = Cable

V = Vacuum

#### Output Type

08 = 8T Powauto Hydraulic Spline

11 = 14T 12/24 30° Spline + 1410 Flange

13 = 13T SAE B Hydraulic Spline + SAE B Pump Mount

25 = 9T SAE A Hydraulic Spline + SAE A Pump Mount

Other outputs available on request, subject to MOQ.

#### Manufacturers Code

A = With Pressure Switch

B = With Mounting Kit

C = With Mounting Kit & PTO Control Kit

Technical Specifications		BF	EF
Ratings & Service Parts		BF	EF
Torque	Nm / ft.lb	340 / 250	330 / 244
Power @ 500 rpm	kW / hp	17.5 / 23.5	17.2 / 23.0
Power @ 1000 rpm	kW / hp	35.0 / 47.0	34.4 / 46.0
Mounting Kit		MK050	MK1148C
Output Shaft Rotation		Opposite To Engine	
Approximate Bare Mass	kg / lb	13.0 / 28.6	
Mounting Gasket Kit		GK001	
Seal Kit		SK066	
Bearing Kit		BK066	

**Note:** For full details refer to the owners manual or the eGuide configurator found at [www.hydreco.com/markets/transport](http://www.hydreco.com/markets/transport)

**DISTRIBUTOR:**

POWAUTO

DAVID BROWN  
HYDRAULICS

HYDRECO

**HYDRECO**  
**POWAUTO**  
HYDRAULIC SOLUTIONS PROVIDER

Doc: PA400—04/17

[www.hydreco.com](http://www.hydreco.com)