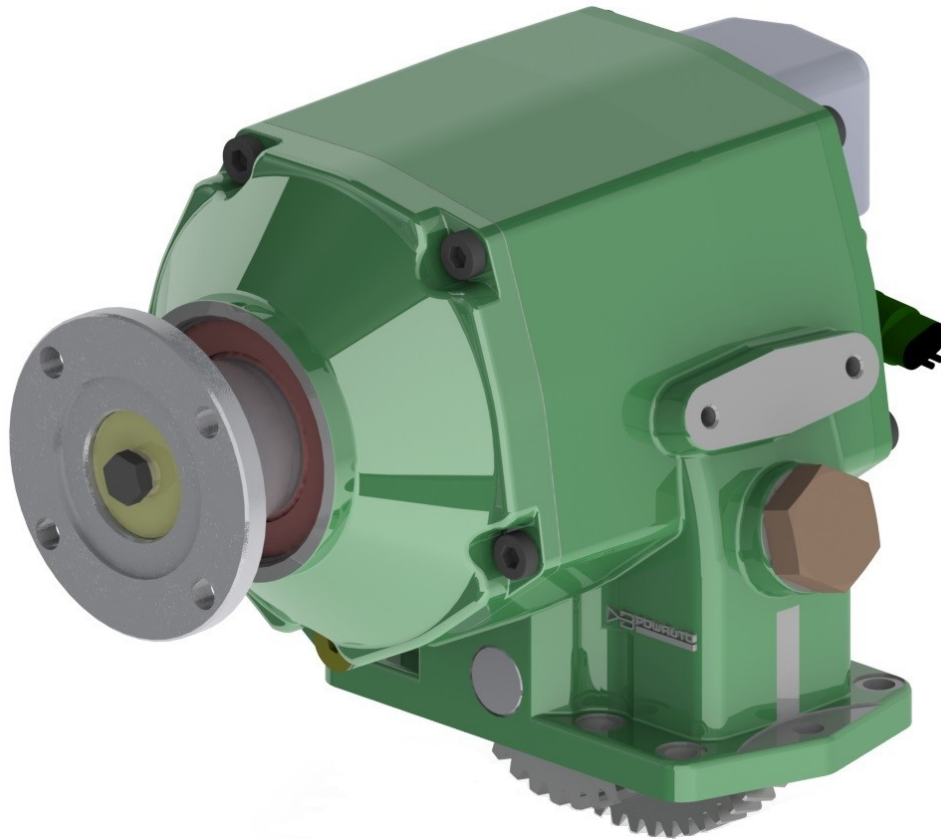


Technical Data Sheet



PA38 SERIES POWER TAKE-OFF

Extra Heavy Duty Side Mounted Hotshift Power Take Off

The 38 series is a constant mesh hotshift PTO designed to suit the 10 bolt transmission openings on the MD and HD series Allison automatic transmissions.

This PTO has a high torque rating which is well suited to heavy duty applications.

Suits:

Allison MD 3050P, 3060P, 3070PT, 3550P, 3560P, HD 4060P, 4560P transmissions.

(Refer to the eGuide Configurator on www.hydreco.com for confirmation and details)

Product Features

- **Output Speeds 80 to 164% of engine speed (Transmission dependant)**
Giving good output values for all applications.
- **Internal Clutch Pack**
Ensuring no gear clash when engaging. Ability to engage while moving.
- **Viton Seals & O-Rings**
Better compatibility with high temperature conditions.
- **Balanced Lifting**
Easy and effortless installation.
- **One Gasket, One Hose Fitment**
Simple to install, resulting in lower setup costs.

POWAUTO

DAVID BROWN
HYDRAULICS

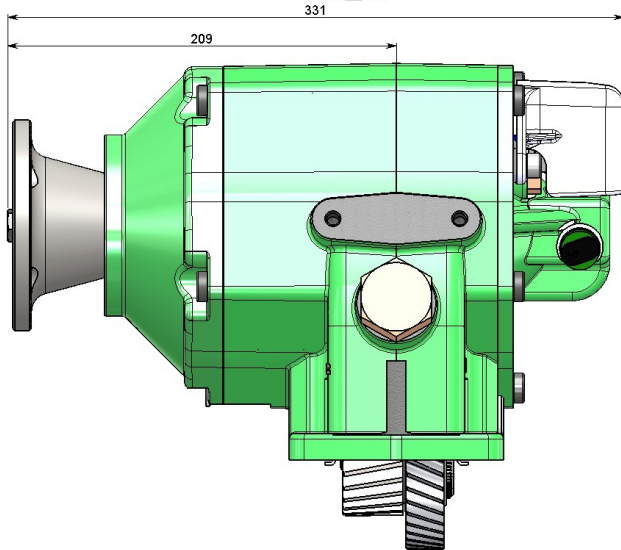
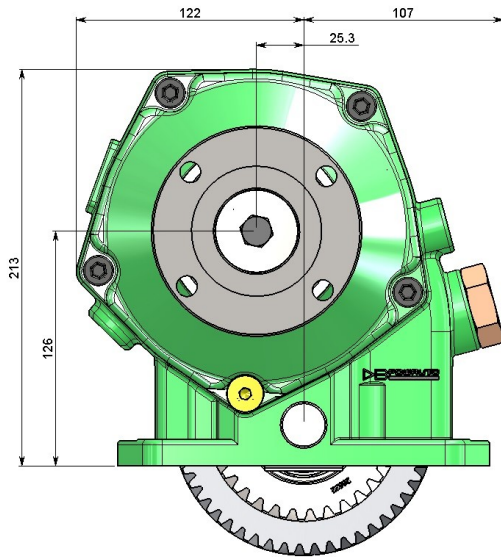
HYDRECO®

HYDRECO
POWAUTO
ADVANCED HYDRAULIC TECHNOLOGIES



www.hydreco.com

Technical Data Sheet



PTO DESIGNATION CODES

38 Series

PA 38-I JB L I I F 33 C *

Identifier

PA = PTO Side Mount

PTO Series

38

Ratio (3000/3000T/4000)

Blank = 115%/141%/164%

-1 = 81%/98%/115%

-2 = 97%/118%/138%

Gear Type

JB

Build

L = Left side of transmission

R = Right side of transmission

1 = Selector to top / Bias to bottom

2 = Selector to bottom / Bias to top

I = Centre to front

(Position of gear in transmission)

Engagement Type

F = Electric / Hydraulic 12V

G = Electric / Hydraulic 24V

J = Hydraulic (for remote solenoid)

Output Type

33 = 17T 12/24 30° Spline + 1410 Flange

40 = DIN 100 Flange

Other outputs available on request, subject to MOQ.

Manufacturers Code

B = With Mounting Kit

C = With Mounting Kit & PTO Control Kit

Remote Solenoid

12V

24V

Technical Specifications		38	38-1	38-2
Ratings & Service Parts				
Ratio for 3000 Series (Left & Right Opening)		115.32%	80.62%	96.67%
Ratio for 3000 Series (Top & Side Opening)		140.75%	98.40%	117.99%
Ratio for Allison 4000		164.49%	115.00%	137.89%
Torque	Nm / ft.lb	650 / 480	755 / 557	702 / 518
Power @ 500 rpm	kW / hp	34.1 / 45.7	39.5 / 53.0	36.8 / 49.3
Power @ 1000 rpm	kW / hp	68.1 / 91.4	79.1 / 106.0	73.5 / 98.6
Output Shaft Rotation		Same As Engine		
Approximate Bare Mass	kg / lb	33.2 / 73.0		
Mounting Kit		MK1163		
Mounting Gasket Kit		GK023		
Seal Kit		SK072		
Bearing Kit		BK072A		

Note: For full details refer to the owners manual or the eGuide configurator found at www.hydreco.com/solutions/on-road

Doc: PA38—06/19

POWAUTO

DAVID BROWN
HYDRAULICS

HYDRECO®

HYDRECO
POWAUTO

ADVANCED HYDRAULIC TECHNOLOGIES



www.hydreco.com