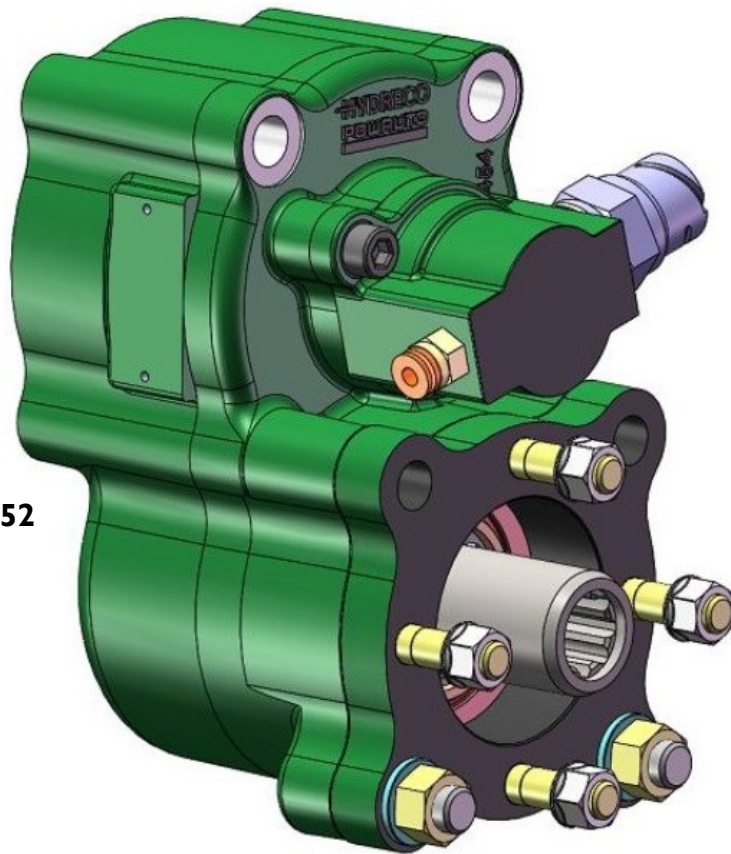


# Technical Data Sheet



**OK043 + PB152  
Assembly**

## OUTPUT KITS

### Output Adapter Kits

These kits allow the conversion of a PTO from one output type to another, to allow the fitment of different mount pumps.

The kit comprises an adapter plate, seals, mounting accessories, bearings (if required) and a shaft coupling for a simple conversion process.

Care should be taken to address any issues relating to overhung loads caused by the installation of the pump.

## Product Features

- **One Part Number, One Box**  
All parts provided to change the PTO from one output to another.
- **Compact Sizes**  
To minimise overhang.
- **Viton O-Rings and Oil Seals**  
For greater durability at high operating temperatures and with synthetic oils.
- **Heavy Duty Bearings (where fitted)**  
For higher capacity and longer life.

POWAUTO

DAVID BROWN  
HYDRAULICS

HYDRECO®

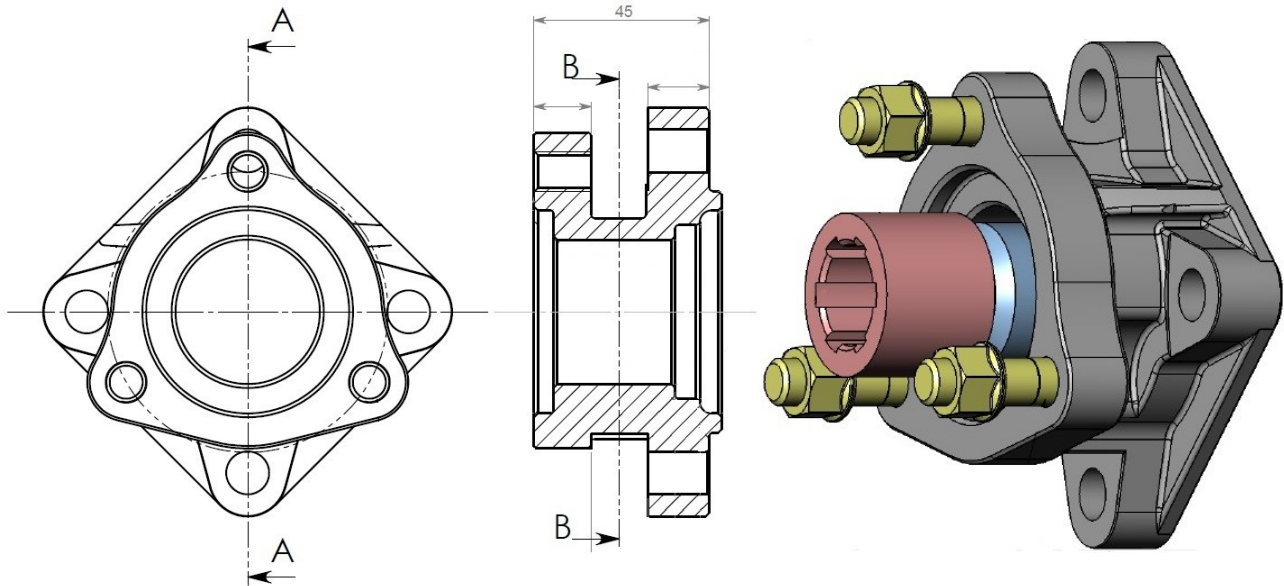
**HYDRECO**  
POWAUTO  
ADVANCED HYDRAULIC TECHNOLOGIES



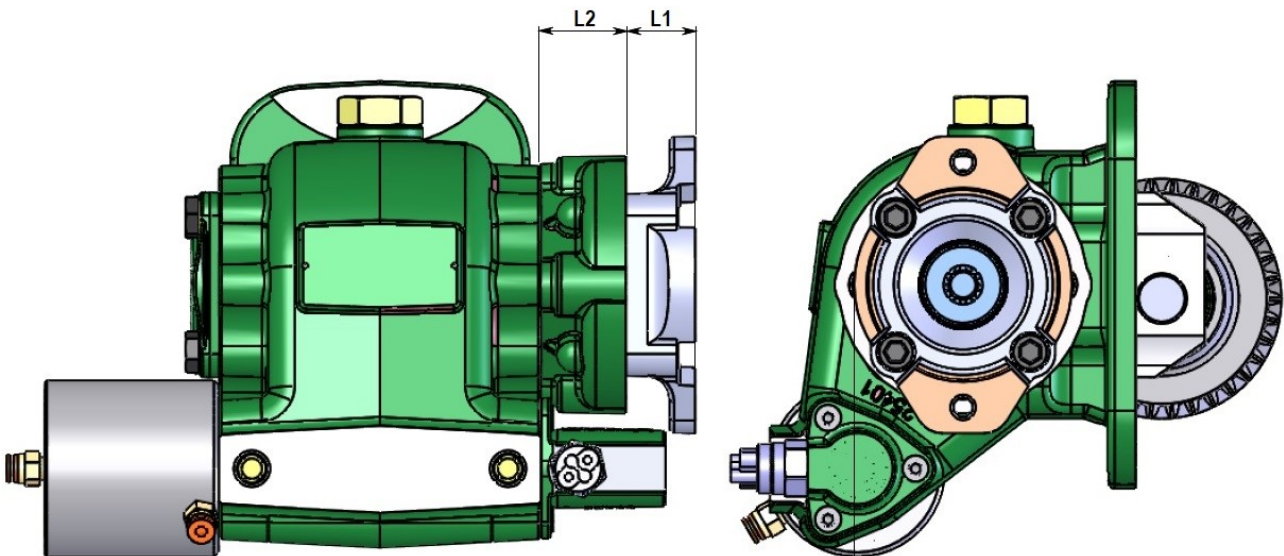
[www.hydreco.com](http://www.hydreco.com)

# Technical Data Sheet

## OK014 Shown for Reference Only



## OK020 Installed on a PA401EHIL24V08A



Kit Part	PTO Flange	Pump Flange	Shaft	Adapter L1	Spacer L2	Notes
OK013	UNI 3 Bolt	Powauto	Powauto	45.0mm	----	
OK014	Powauto	UNI 3 Bolt	DIN 8963 6T	45.0mm	----	
OK016	ISO 7653	Powauto	Powauto	15.2mm	----	With Support Bearing
OK016A	ISO 7653	Powauto	Powauto	15.2mm	----	Without Support Bearing
OK017	Chelsea 'XR'	Powauto	Powauto	56.8mm	----	
OK019	Powauto	SAE B - 2 & 4 Bolt	SAE B 13T	47.63mm	37.1mm	
OK020	Powauto	SAE A - 2 Bolt	SAE A 9T	30.3mm	37.1mm	
OK042	Powauto	UNI 3 Bolt	SAE B 13T	45.0mm	----	
OK043	ISO 7653	Powauto	Powauto	15.1mm	----	Use on fully supported ISO outputs

Doc: OK—05/19

POWAUTO

DAVID BROWN  
HYDRAULICS

HYDRECO®

HYDRECO  
POWAUTO

ADVANCED HYDRAULIC TECHNOLOGIES



www.hydreco.com